

AMICO
埃美柯

AMICO
埃美柯

埃美柯集团有限公司
AMICO GROUP CO.,LTD.

地址/宁波市慈伦通和东路68号 邮编/315202 电话/0574-87676118

电子邮箱/1288@amico.cn 网址/www.amico.cn 传真/0574-87666589

Address/68Tonghe East Road,Luotuo,Ningbo Postcode/315202 Tel/0574-87676118

E-mail:1288@amico.cn http://www.amico.cn Fax/0574-87666589



埃美柯官方网站

**BATHROOM
PRODUCT SERIES**

卫浴产品系列

Ingenuity and eternal smart manufacturing
匠心永恒，智能制造



Faucet Suites Series

套装水嘴系列

92
Series



Amico 001



Model: YG92.HW.F
Thermostatic shower faucet
恆溫淋浴水嘴



Model: YG92A.HW.F
Thermostatic shower faucet
恆溫淋浴水嘴

Amico 002

1903
Series

Our design will enlighten you on designing an environment-friendly bathroom that's with both fun and enduring.

埃美柯的设计也许会让您找到设计的灵感，在带给你装修乐想的同时也带来质量的保证。

90
Series



Model: YG90A.HW.F
Thermostatic shower faucet
恒温淋浴水嘴



Model: YG90B.HW.F
Thermostatic shower faucet
恒温淋浴水嘴



Model: YG1903F
Single handle shower faucet
单柄双控淋浴水嘴



Model: YG1903FQ
Single handle shower faucet
单柄双控淋浴水嘴



Model: MD1903
Single handle basin faucet
单柄双控洗面器水嘴



Model: MD1903Q
Single handle basin faucet
单柄双控洗面器水嘴

Faucet Suites Series

套装水嘴系列



Amico 005

839
Series



Model: MD839
Single-handle basin faucet
单柄控制洗面水嘴



Model: XG839
Single-handle sink faucet
单柄控制洗盆水嘴



Model: YG839F
Single-handle shower faucet
单柄控制淋浴水嘴



Model: MD839Q
Single-handle basin faucet
单柄控制洗面水嘴



Model: XG839Q
Single-handle sink faucet
单柄控制洗盆水嘴



Model: YG839FQ
Single-handle shower faucet
单柄控制淋浴水嘴

Amico 006

850
Series

Model: YG850F
Single handle shower faucet
单柄双控淋浴水嘴



Model: YG850AF
Single handle shower faucet
单柄双控淋浴水嘴



Model: YG856F
Single handle shower faucet
单柄双控淋浴水嘴



Model: MD850
Single handle basin faucet
单柄双控洗面器水嘴



Model: XG850
Single handle sink faucet
单柄双控洗面水嘴



Model: MD856
Single handle basin faucet
单柄双控洗面器水嘴



Model: XG856
Single handle sink faucet
单柄双控洗面水嘴

856
Series



With steady-going structure, perfect design, combination of sensibility and rationality, its effort on quality is always larger than others.

稳重的结构，完美的设计，感性与理性相结合，对于品质的追求总是比别人多。



Model: MS169
Double handle basin faucet
双柄双控洗面器水龙头



Model: YG169A
Double handle shower faucet
双柄双控淋浴器水龙头



Model: YG169B
Double handle shower faucet
双柄双控淋浴器水龙头



Model: MS169A
Double handle basin faucet
双柄双控洗面器水龙头



Model: YG169
Bathub faucet
浴缸水龙头

218
Series

1801
Series



Model: MD218
Single handle basin faucet
单柄双控洗面器水嘴



Model: YG218F
Single handle shower faucet
单柄双控淋浴水嘴



Model: YG8832F
Single handle shower faucet
单柄双控淋浴水嘴



Model: MD218A
Single handle basin faucet
单柄双控洗面器水嘴



Model: XG218
Single handle sink faucet
单柄双控洗面水嘴



Model: MD1801
Single handle basin faucet
单柄双控洗面器水嘴



Model: MD1801A
Single handle basin faucet
单柄双控洗面器水嘴



Model: MD95
Single handle basin faucet
单柄控制洗面器水嘴



Model: XG95
Single handle kitchen faucet
单柄控制厨房水嘴



Model: LG95F59
Single handle shower faucet
单柄控制淋浴水嘴



Model: YG95
Single handle bathtub faucet
单柄控制浴缸水嘴



Model: LG95A
Single handle shower faucet
单柄控制淋浴水嘴

838

Series

1802

Series



Model: YG838L
Singlehand shower faucet
单柄淋浴喷头水龙头



Model: YG838F
Singlehand shower faucet
单柄固定淋浴喷头水龙头



Model: MD1802
Single handle basin faucet
单柄单控洗面器水龙头



Model: MD1802A
Single handle basin faucet
单柄单控洗面器水龙头



Model: MS1802
Double handle basin faucet
双柄双控洗面器水龙头



Model: MD838
Single handle basin faucet
单柄单控洗面器水龙头



Model: MD838A
Single handle basin faucet
单柄单控洗面器水龙头



Model: XG838
Single handle sink faucet
单柄单控洗面器水龙头



Model: MD2189
Single handle basin faucet
单柄单控洗面器水龙头



Model: MD2189B
Single handle basin faucet
单柄单控洗面器水龙头

157
Series



Model: MD157
Single handle basin faucet
单柄双控洗面器水嘴



Model: YG157F
Single handle shower faucet
单柄双控淋浴水嘴



Model: XG157
Single handle sink faucet
单柄双控洗面水嘴



Model: MG157
Single handle basin faucet
单柄双控洗面器水嘴

153
Series



Model: MD153
Single handle basin faucet
单柄双控洗面器水嘴



Model: YG153F
Single handle shower faucet
单柄双控淋浴水嘴



Model: MD153A
Single handle basin faucet
单柄双控洗面器水嘴



Model: XG153
Single handle sink faucet
单柄双控洗面水嘴

156

Series



Model: MD156
Single handle basin faucet
单柄双控洗面器水嘴



Model: YG156F
Single handle shower faucet
单柄双控淋浴水嘴



Model: MD282
Single handle basin faucet
单柄双控洗面器水嘴



Model: XG282
Single handle sink faucet
单柄双控洗面水嘴



Model: YG282F
Single handle shower faucet
单柄双控淋浴水嘴

282

Series



Model: MD156A
Single handle basin faucet
单柄双控洗面器水嘴



Model: XG156
Single handle sink faucet
单柄双控洗面水嘴



Model: MD281
Single handle basin faucet
单柄双控洗面器水嘴



Model: XG281
Single handle sink faucet
单柄双控洗面水嘴



Model: YG281F
Single handle shower faucet
单柄双控淋浴水嘴

281

Series

Our design will enlighten you on designing
an environment-friendly bathroom that's
with both fun and enduring.

埃美柯的设计也许会让您找到设计的灵感，
在带给你装修乐趣的同时也带来质量的保证



Amico 021



Model: MD910
Single handle basin faucet
单柄单控洗面器水嘴



Model: MD910A
Single handle basin faucet
单柄单控洗面器水嘴



Model: YG910F
Single handle shower faucet
单柄单控淋浴器水嘴

Amico 022

8850
Series

Model: MD8850
Single handle basin faucet
单柄双控洗面器水嘴



Model: XG8850
Single handle sink faucet
单柄双控洗脸盆水嘴



Model: YG8850F
Single handle shower faucet
单柄双控淋浴水嘴



Model: MD167
Single handle basin faucet
单柄双控洗面器水嘴



Model: XG167
Single handle sink faucet
单柄双控洗脸盆水嘴



Model: YG167F
Single handle shower faucet
单柄双控淋浴水嘴

167
Series851
Series

Model: MD851
Single handle basin faucet
单柄双控洗面器水嘴



Model: XG851
Single handle sink faucet
单柄双控洗脸盆水嘴



Model: YG851F
Single handle shower faucet
单柄双控淋浴水嘴



Model: MD836
Single handle basin faucet
单柄双控洗面器水嘴



Model: XG836
Single handle sink faucet
单柄双控洗脸盆水嘴



Model: YG836AF
Single handle shower faucet
单柄双控淋浴水嘴

836
Series

8858
Series

In the meaning of design creativity and innovation for which we're known, we offer unique, handcrafted faucets in a wide range of styles, colors and materials to match your individual taste and the décor of your bath.

我们秉承创新的精神，用各种极具质感的材料为您演绎出水各种姿态，悉心搭配您的品味。



Amico 025



Model: MD8858
Single-lever basin faucet
单柄单控洗面盆水嘴



Model: XG8858
Single-lever drink faucet
单柄单控饮水水嘴



Model: YG8858F
Single-lever shower faucet
单柄单控淋浴水嘴

Amico 026

8829 Series



Model: MD8829
Single handle basin faucet
单柄控制洗面水龙头



Model: XG8829
Single handle sink faucet
单柄控制洗脸水龙头



Model: YG8829F
Single handle shower faucet
单柄控制淋浴水龙头

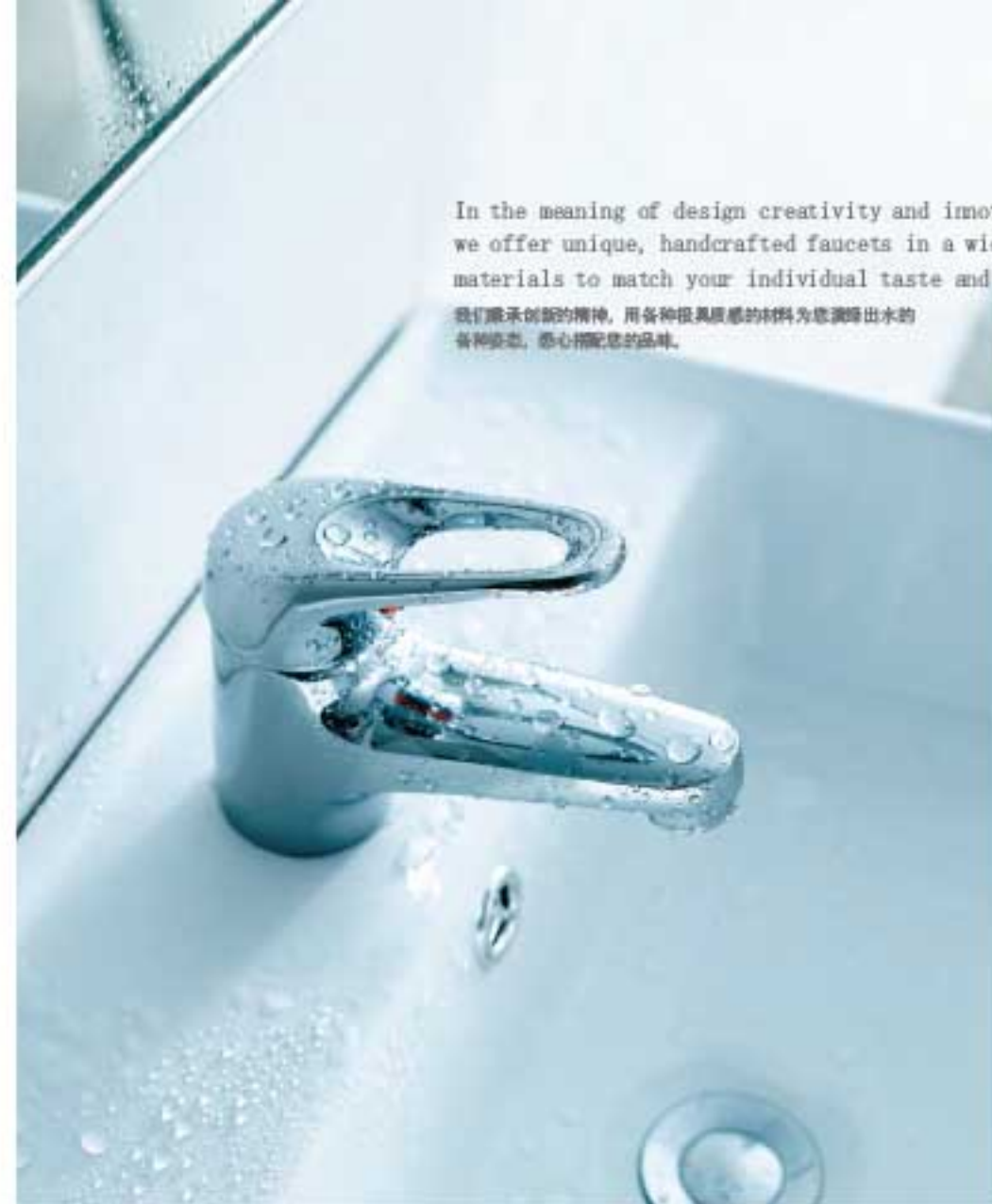
828 Series



Model: XG828
Single handle sink faucet
单柄控制洗脸水龙头



Model: YG828F
Single handle shower faucet
单柄控制淋浴水龙头



In the meaning of design creativity and innovation for which we're known, we offer unique, handcrafted faucets in a wide range of styles, colors and materials to match your individual taste and the décor of your bath.

我们秉承创新的精神，用各种极具质感的材料为您演绎出水的各种姿态，悉心搭配您的品味。

78 Series



Model: MD78
Single handle basin faucet
单柄控制洗面水龙头



Model: MG78
Single handle basin faucet
单柄控制洗面水龙头



Model: XG78
Single handle sink faucet
单柄控制洗脸水龙头



Model: LG78
Single handle shower faucet
单柄控制淋浴水龙头



Model: YG78
Single handle bathtub faucet
单柄控制浴缸水龙头

50
Series

135
Series



Model: MD50
Single handle basin faucet
单柄双控洗面器水嘴

Model: MG50
Single handle basin faucet
单柄双控洗面器水嘴

Model: XG50
Single handle sink faucet
单柄双控洗脸水嘴

Model: YG50
Single handle shower faucet
单柄双控浴缸水嘴

Model: MD135
Single handle basin faucet
单柄双控洗面器水嘴

Model: XG135
Single handle sink faucet
单柄双控洗脸水嘴

Model: YG135
Single handle bathtub faucet
单柄双控浴缸水嘴

18
Series

813
Series



Model: MG18P8
Single handle basin faucet
单柄双控洗面器水嘴

Model: XG2
Single handle sink faucet
单柄双控洗脸水嘴

Model: LG6L78
Single handle shower faucet
单柄双控淋浴水嘴

Model: YG18L78
Single handle bathtub faucet
单柄双控浴缸水嘴

Model: MD813
Single handle basin faucet
单柄双控洗面器水嘴

Model: MG813
Single handle basin faucet
单柄双控洗面器水嘴

Model: LG813
Single handle shower faucet
单柄双控淋浴水嘴



Automatic Faucets Series

感应水嘴系列

Shower Faucets Series

淋浴水嘴系列

In the meaning of design creativity and innovation for which we're known, we offer unique, handcrafted faucets in a wide range of styles, colors and materials to match your individual taste and the décor of your bath.

我们秉承创新的精神，用各种极具质感的材料为您演绎出水的各种姿态，悉心搭配您的品味。



Model: EM1002
Automatic bath faucet
感应感应水嘴系列



Model: EM1003
Automatic bath faucet
感应感应水嘴系列



Model: EM1101
Automatic bath faucet
感应感应水嘴系列



Model: EM1117
Automatic bath faucet
感应感应水嘴系列



Model: EM1118
Automatic bath faucet
感应感应水嘴系列



Model: EM1102
Automatic bath faucet
感应感应水嘴系列



Model: EM1106
Automatic bath faucet
感应感应水嘴系列



Model: EM1107
Automatic bath faucet
感应感应水嘴系列





Amico 033



Model: YG89.HW.F89
 Termostatic shower faucet
 恆溫淋浴水嘴



Model: YG89A.HW.F89
 Termostatic shower faucet
 恆溫淋浴水嘴



Model: YG196.HW.F
 Termostatic shower faucet
 恆溫淋浴水嘴



Model: LG89.HW.F
 Termostatic shower faucet
 恆溫淋浴水嘴



Model: YG8898.HW.F
 Termostatic shower faucet
 恆溫淋浴水嘴



Model: YG195.HW.F
 Termostatic shower faucet
 恆溫淋浴水嘴

Amico 034



Model: YG197F
Single handle shower faucet
单柄双控淋浴水嘴

Model: YG8197F
Single handle shower faucet
单柄双控淋浴水嘴

Model: YG1905F
Single handle shower faucet
单柄双控淋浴水嘴

Model: YG175F175
Single handle shower faucet
单柄双控淋浴水嘴

Model: YG118F
Single handle shower faucet
单柄双控淋浴水嘴

Model: YG226
Single handle shower faucet
单柄双控淋浴水嘴



Model: YG8833F
Single handle shower faucet
单柄双控淋浴水嘴

Model: YG911F
Thermostatic shower faucet
单柄双控淋浴水嘴

Model: YG8837F
Single handle shower faucet
单柄双控淋浴水嘴

Model: YG227
Single handle shower faucet
单柄双控淋浴水嘴

Model: LG10F5
Single handle shower faucet
单柄双控淋浴水嘴

Model: LG8F5
Double handle shower faucet
双柄双控淋浴水嘴

Creative Idea makes unique Design
灵感无限 创意独特



Bathtub Mixer Series

浴缸水嘴系列



Model: YB601
Double handle bathtub faucet
双柄双控浴缸水嘴



Model: YB603
Double handle bathtub faucet
双柄双控浴缸水嘴



Model: YM601
Double handle bathtub faucet
双柄双控浴缸水嘴



Model: YM603
Double handle bathtub faucet
双柄双控浴缸水嘴



Model: MS601
Double handle basin faucet
双柄双控洗面盆水嘴



Model: MS603
Double handle basin faucet
双柄双控洗面盆水嘴



Model: YG79AL
Single handle shower faucet
单把手淋浴水龙头



Model: YG80BL
Single handle shower faucet
单把手淋浴水龙头



Model: YG81.HW.F
Single handle shower faucet
单把手淋浴水龙头



Model: YG75L
Single handle shower faucet
单柄淋浴花洒龙头

Model: YG76L
Single handle shower faucet
单柄淋浴花洒龙头



Model: LG12L152
Single handle shower faucet
单柄淋浴花洒龙头



Basin Faucet Series

面盆水嘴系列

In the romantic world, it is wisdom that gives me power and courage, to lightly uncover the fog. Whether is brilliant or not, I never complain, only because I am to see this reserved and pure heart.

在浪漫的世界，是智慧给我力量，让我有勇气，去轻轻揭开迷雾，无论是否拨开迷雾，我依然无怨无悔，只为保有这一颗，静待花开的心。



Model: MD176
Single handle basin faucet
单柄淋浴花洒龙头



Model: ML6
Single handle basin faucet
单柄单控延时洗面器水嘴



Model: ML7
Single handle basin faucet
单柄单控洗面器水嘴



Model: ML8
Single handle basin faucet
单柄单控洗面器水嘴



Model: MD911
Single handle basin faucet
单柄双控洗面器水嘴



Model: MD192
Single handle basin faucet
单柄双控洗面器水嘴



Model: MD8192
Single handle basin faucet
单柄双控洗面器水嘴



Model: ML9
Single handle basin faucet
单柄单控洗面器水嘴



Model: ML17
Single handle basin faucet
单柄单控洗面器水嘴



Model: ML52
Single handle basin faucet
单柄单控洗面器水嘴



Model: MD875
Single handle basin faucet
单柄双控洗面器水嘴



Model: MD876
Single handle basin faucet
单柄双控洗面器水嘴



Model: MD161
Single handle basin faucet
单柄双控洗面器水嘴



Model: ML68
Single handle basin faucet
单柄单控洗面器水嘴



Model: ML101
Single handle basin faucet
单柄单控洗面器水嘴



Model: MD159
Single handle basin faucet
单柄双控洗面器水嘴



Model: MG5
Double handle basin faucet
双柄双控洗面器水嘴

Sink Faucets Series

洗滌水嘴系列



LIFE IS MOVED BY
WATER AND EXCHANGE
WITH WATER.

水，感动生活，与水交流



Model: XG165
Single handle sink faucet
单柄双控洗滌水嘴



Model: XG197B
Single handle sink faucet
单柄双控洗滌水嘴



Model: XG535
Single handle sink faucet
单柄双控洗滌水嘴



Model: XG192
Single handle sink faucet
单柄双控洗滌水嘴



Model: XG538
Single handle sink faucet
单柄双控洗滌水嘴



Model: XG539
Single handle sink faucet
单柄双控洗滌水嘴



Model: XG196
Single handle sink faucet
单柄双控洗洁水嘴



Model: XG197
Double handle sink faucet
双柄双控洗洁水嘴



Model: XG163
Single handle sink faucet
单柄双控洗洁水嘴



Model: CJ3
Drink-water tap
饮用饮水嘴



Model: CJ15
Drink-water tap
饮用饮水嘴



Model: XL185
Single handle sink faucet
单柄单控洗洁水嘴



Model: XL536
Double handle sink faucet
双柄单控洗洁水嘴



Model: XL9
Single handle sink faucet
单柄单控洗洁水嘴



Model: XG9
Double handle sink faucet
双柄双控洗洁水嘴



Model: XL5
Single handle sink faucet
单柄单控洗洁水嘴



Model: XL6
Single handle sink faucet
单柄单控洗洁水嘴



Model: XL26
Single handle sink faucet
单柄单控洗洁水嘴



Model: XG173
Single handle sink faucet
单柄双控洗洁水嘴



Model: XG11
Double handle sink faucet
双柄双控洗洁水嘴



Model: XG185
Double handle sink faucet
双柄双控洗洁水嘴



Model: XL211
Single handle sink faucet
单柄单控洗洁水嘴



Model: XL0551
Single handle sink faucet
单柄单控洗洁水嘴



Model: XL0552
Single handle sink faucet
单柄单控洗洁水嘴



Model: XL15
Single handle sink faucet
单柄单控洗菜水嘴



Model: XL15A
Washing machine faucet
洗衣机水嘴



Model: XL102
Single handle sink faucet
单柄单控洗菜水嘴



Model: XL102A
Washing machine faucet
洗衣机水嘴



Model: XL106A
Single handle sink faucet
单柄单控洗菜水嘴



Model: XL16
Single handle sink faucet
单柄单控洗菜水嘴



Model: XL395LA
Single handle sink faucet
单柄单控洗菜水嘴



Model: XL395
Single handle sink faucet
单柄单控洗菜水嘴



Model: XL395A
Washing machine faucet
洗衣机水嘴



Model: XL20
Single handle sink faucet
单柄单控洗菜水嘴



Model: XL25
Single handle sink faucet
单柄单控洗菜水嘴



Model: XL856
Single handle sink faucet
单柄单控洗菜水嘴



Model: XL856A
Washing machine faucet
洗衣机水嘴



Model: XL186
Single handle sink faucet
单柄单控洗菜水嘴



Model: XL186A
Washing machine faucet
洗衣机水嘴



Model: XL201
Single handle sink faucet
单柄单控洗菜水嘴



Model: XL201A
Washing machine faucet
洗衣机水嘴

Angle Valves Series

角阀系列



Model: JG6
Angle valve
黄铜镀铬角阀



Model: JF19
Angle valve
黄铜镀铬角阀



Model: JF746
Angle valve
黄铜镀铬角阀



Model: JF792
Angle valve
黄铜镀铬角阀 (内螺纹)



Model: JF721
Angle valve
黄铜镀铬角阀



Model: JG3
Angle valve
黄铜镀铬角阀



Model: JF68
Angle valve
黄铜镀铬角阀



Model: JF16
Angle valve
黄铜镀铬角阀



Model: JF23
Angle valve
黄铜镀铬角阀



Model: JF17
Angle valve
黄铜镀铬角阀



Model: 319
Angle valve
黄铜镀铬角阀



Model: JF24
Angle valve
黄铜镀铬角阀



Model: JF661
Angle valve
黄铜镀铬角阀



Model: JF818P
Angle valve
黄铜镀铬角阀



Model: JF726
Angle valve
黄铜镀铬角阀



Model: JF3
Angle valve
黄铜镀铬角阀



Model: JF86
Angle valve
黄铜镀铬角阀



Model: JF766
Angle valve
黄铜镀铬角阀



Model: JF20
Angle valve
黄铜镀铬角阀



Model: JF48
Angle valve
黄铜镀铬角阀



Model: JF787
Angle valve
黄铜镀铬角阀



Model: JF5
Angle valve
黄铜镀铬角阀

冲洗阀系列



Model: JF767
Angle valve
黄铜直角阀



Model: JF769
Angle valve
黄铜直角阀



Model: JF123
Angle valve
淋浴器专用角阀



Model: JF770
Angle valve
黄铜直角阀



Model: JF860
Angle valve
黄铜直角阀 (6分出水)



Model: JF859
Angle valve
黄铜直角阀 (6分出水)



Model: JF856
Angle valve
黄铜直角阀 (6分出水)



Model: JF857
Angle valve
黄铜直角阀 (6分出水)



Model: JF712
Angle valve
黄铜直角阀



Model: JF288
Angle valve
黄铜直角阀



Model: JF758
Angle valve
黄铜直角阀 (6分出水)



Model: JF855
Angle valve
黄铜直角阀(带止回阀)



Model: BD31
Toilet flush valve
大便冲洗阀



Model: BD36
Toilet flush valve
大便冲洗阀



Model: BD11
Toilet flush valve
大便冲洗阀



Model: BD81
Toilet flush valve
大便冲洗阀



Model: BD91
Toilet flush valve
大便冲洗阀



Model: BD405
Toilet flush valve
大便冲洗阀



Model: BD405A
Toilet flush valve
大便冲洗阀



Model: BD31A
Toilet flush valve
大便冲洗阀



Model: BD36A
Toilet flush valve
大便冲洗阀



Model: BC3
Urinal flush valve
小便冲洗阀



Model: BC4
Urinal flush valve
小便冲洗阀



Model: BC5
Urinal flush valve
小便冲洗阀



Model: EM2501
Automatic urinal flush valve
感应小便冲洗阀
(交流电/供电)



Model: EM2002
Automatic urinal flush valve
感应小便冲洗阀
(交/直流电两用)



Model: EM2003
Automatic urinal flush valve
感应小便冲洗阀
(交/直流电两用)



Model: EM2112
Automatic urinal flush valve
感应小便冲洗阀
(交/直流电两用)



Model: EM2115
Automatic urinal flush valve
感应小便冲洗阀
(交/直流电两用)



Model: EM3001
Automatic squat style toilet flush valve
感应蹲式大便冲洗阀
(交/直流电两用)



Model: EM3002
Automatic toilet flush valve
感应大便冲洗阀
(感应式两用, 交/直流电两用)

Waste Series

地漏系列



Model: BP3041
Waste
地漏



Model: BP3041A
Waste
地漏



Model: BP3042
Waste
地漏



Model: BP3045
Waste
地漏 (拉絲)



Model: BP9152
Waste
地漏



Model: BP9153
Waste
地漏



Model: BP9158
Waste
地漏



Model: BP9159
Waste
地漏



Model: BP3046
Waste
地漏 (拉絲)



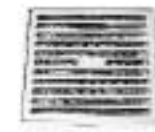
Model: BP3047
Waste
地漏 (電鍍)



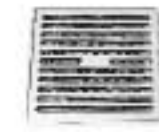
Model: BP3048
Waste
地漏 (鍍鉻)



Model: BP2026
Waste
地漏 (120mmx120mm)



Model: BP6801
Waste
地漏



Model: BP6802
Waste
地漏



Model: BP1010
Waste
地漏 (Φ100)



Model: BP1901
Waste
地漏



Model: BP2036
Waste
地漏 (150mmx150mm)



Model: BP8301
Waste
地漏



Model: BP8312
Waste
地漏 (Φ83) (Φ100)



Model: BP8375
Waste
地漏 (Φ52) (Φ75)



Model: BP8203
Waste
地漏



Model: BP9210
Waste
地漏



Model: BP9211
Waste
地漏



Model: BP9215
Waste
地漏



Model: BP6803
Waste
地漏



Model: BP6636
Waste
地漏



Model: BP601
Waste
地漏



Model: BP605
Waste
地漏



Model: BP9220
Waste
地漏



Model: BP9221
Waste
地漏



Model: BP9222
Waste
地漏



Model: BP9230
Waste
地漏



Model: BP6841
Waste
地漏



Model: BP9
Waste
地漏



Model: BP10
Waste
地漏



Model: BP12
Waste
地漏



Model: BP101
Waste
地漏



Model: BP102
Waste
地漏



Model: BP8306
Waste
地漏



Model: BP8303
Waste
地漏

Discharge Water Valve Series

面盆放水閥系列



Model: MP50
Basin waste (porous)
面盆放水閥



Model: MP50A
Basin waste (porous)
面盆放水閥



Model: MP51
Basin waste (panel turnover)
面盆放水閥



Model: MP51A
Basin waste (panel turnover)
面盆放水閥



Model: MP15
Basin waste (porous)
面盆放水閥(有孔)



Model: MP28
Basin waste (panel turnover)
面盆放水閥(翻板式)



Model: MP29
Basin waste (porous)
面盆放水閥(有孔)



Model: MP29A
Basin waste (panel turnover)
面盆放水閥(无孔)



Model: MP6A
Basin waste (non-porous)
面盆放水閥(无孔)



Model: MP6
Basin waste (porous)
面盆放水閥(有孔)



Model: MP8
Basin waste (panel turnover)
面盆放水閥(翻板式)



Model: MP35
Basin waste
面盆放水閥

Drainpipe Series

排水管系列



Model: PS2
Type wave sink drain
波紋反水閥



Model: PP6
P type sink drain
P型反水閥



Model: ZG
Right angled bend washing canal
直角彎冲洗器



Model: PS3
S type sink drain
S型反水閥



Model: PS5
S type sink drain
S型反水閥



Model: PP2
P type sink drain
P型反水閥



Model: PP11
P type sink drain
P型反水閥



Model: PP7
P type sink drain
P型反水閥(塑料)



Model: PP10
P type sink drain
P型反水閥(塑料)



Model: YP7
Bathtub drain
浴缸排水



Model: YP17
Bathtub drain
浴缸排水



Model: MP39
Basin waste
面盆放水閥

Showerheads Series

花洒头系列



Model: YL26
Showerhead
花洒



Model: YL168
Showerhead
花洒



Model: YL169
Showerhead
花洒



Model: YL195
Showerhead
花洒



Model: YL152
Showerhead
花洒

Amico 059

Bathroom Accessories Series

挂件系列

MAKES THE SMALL
SPACE REALLY
ELEGANT

让优雅尽现方寸间



Amico 060

15
Series



Model: WN15
Tissue holder
手纸架



Model: WQ15
Toilet brush and holder
马桶刷

9
Series



Model: WN9
Tissue holder
手纸架



Model: WQ9
Toilet brush and holder
马桶刷



Model: WM15-1
Single towel rail
单杆毛巾架



Model: WM15-2
Double towel rail
双杆毛巾架



Model: WY15
Towel rail
浴巾架



Model: WM9-1
Single towel rail
单杆毛巾架



Model: WM9-2
Double towel rail
双杆毛巾架



Model: WY9
Towel rail
浴巾架

19
Series



Model: WN19
Tissue holder
手纸器



Model: WJ19
Towel
毛巾环



Model: WQ19
Toilet brush and holder
便器刷



Model: WM19-1
Single towel rail
单挂毛巾架



Model: WM19-2
Double towel rail
双挂毛巾架



Model: WY19
Towel rail
浴巾架

Perhaps, the same affairs are repeated every day, habits allow our spirit to form inertia laziness. It would be better to activate the fun in life by the fresh experience. So that we can also understand the new true meaning of a happy life from the day-to-day family affairs.

也许每一天都重复相同的事务，习惯让我们的精神形成惯性懒惰，不如让清新体验激活生活乐趣，从日复一日的家庭事务中，也能领悟出快乐生活新真谛。



6595
Series



Model: WY6595
Towel rail
浴巾架



Model: WM6595
Double towel rail
双挂毛巾架



Model: WL6595
Tier wire basket
吊篮



Model: WQ6595
Toilet brush and holder
便器刷



Model: WN6595
Tissue holder
手纸架

6626
Series



Model: WN6626
Tissue holder
手纸架



Model: WQ6626
Toilet brush and holder
便器刷



Model: WM6626-1
Single towel rail
单挂毛巾架



Model: WM6626-2
Double towel rail
双挂毛巾架



Model: WY6626
Towel rail
浴巾架

Exchange with water, rather than dominate it, and make a friend with water and make its contribution become your enjoyment. Listening whisper and sounds of nature will naturally bring a new move while experiencing the skin being watered in a lightness manner.

与水交流，而不是支配它，和水做朋友，让它的付出成为您的享受。聆听，细雨，天籁，在体验水润肌肤的畅快的时间中，自然会有新的感动出现。

6595
Series



Model: WY6595
Towel rail
浴巾架



Model: WM6595
Double towel rail
双挂毛巾架



Model: WL6595
Tier wire basket
吊篮



Model: WQ6595
Toilet brush and holder
便器刷



Model: WN6595
Tissue holder
手纸架

6626
Series



Model: WN6626
Tissue holder
手纸架



Model: WQ6626
Toilet brush and holder
便器刷



Model: WM6626-1
Single towel rail
单挂毛巾架



Model: WM6626-2
Double towel rail
双挂毛巾架



Model: WY6626
Towel rail
浴巾架

Exchange with water, rather than dominate it, and make a friend with water and make its contribution become your enjoyment. Listening whisper and sounds of nature will naturally bring a new move while experiencing the skin being watered in a lightness manner.

与水交流，而不是支配它，和水做朋友，让它的付出成为您的享受。聆听，细雨，天籁，在体验水润肌肤的愉快的时间中，自然会有新的感动出现。

1601 Series



Model: WN1601
Tissue holder
手纸架



Model: WQ1601
Toilet brush and holder
便器刷



Model: WM1601-1
Single towel rail
单挂毛巾架



Model: WM1601-2
Double towel rail
双挂毛巾架



Model: WY1601
Towel rail
浴巾架



Model: WN1701
Tissue holder
手纸架



Model: WJ1701
Towel
毛巾环



Model: WQ1701
Toilet brush and holder
便器刷

1701 Series



Model: WM1701-1
Single towel rail
单挂毛巾架



Model: WM1701-2
Double towel rail
双挂毛巾架



Model: WY1701
Towel rail
浴巾架

3041 Series



Model: WN3041
Tissue holder
手纸架



Model: WQ3041
Toilet brush and holder
便器刷



Model: WM3041-1
Single towel rail
单挂毛巾架



Model: WM3041-2
Double towel rail
双挂毛巾架



Model: WY3041
Towel rail
浴巾架



Model: WN6506
Tissue holder
手纸架



Model: WQ6506
Toilet brush and holder
便器刷

6506 Series



Model: WM6506-1
Single towel rail
单挂毛巾架



Model: WM6506-2
Double towel rail
双挂毛巾架



Model: WY6506
Towel rail
浴巾架



1826
Series



Model: WN1826
Tissue holder
手紙架



Model: WQ1826
Toilet brush and holder
便器刷



Model: WM1826-1
Single towel rail
單桿毛巾架



Model: WM1826-2
Double towel rail
雙桿毛巾架



Model: WY1826
Towel rack
浴巾架



Model: WN1908
Tissue holder
手紙架



Model: WQ1908
Toilet brush and holder
便器刷

1908
Series



Model: WM1908-1
Single towel rail
單桿毛巾架



Model: WM1908-2
Double towel rail
雙桿毛巾架



Model: WY1908
Towel rack
浴巾架

9168
Series



Model: WG9168
Paper holder
纸巾筒



Model: WQ9168
Toilet brush and holder
马桶刷



Model: WN9168
Tissue holder
手纸筒

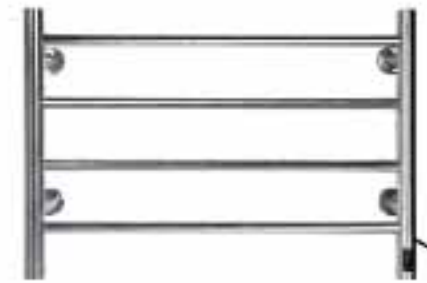


Model: WM91681-1
Single towel roll
单格毛巾架



Model: WY9168
Towel roll
浴巾架

2102
Series



Model: DM2102A
Electric towel rail
电热毛巾架



Model: DM2102B
Electric towel rail
电热毛巾架



Model: DY2102A
Electric towel rail
电热浴巾架



Model: DY2102B
Electric towel rail
电热浴巾架

0910
Series



Model: WN0910
Tissue holder
手绢架

Model: WQ0910
Toilet brush and holder
马桶刷



Model: WM0910-1
Single towel rail
单杆毛巾架

Model: WM0910-2
Double towel rail
双杆毛巾架

Model: WY0910
Towel rail
浴巾架

Perhaps, the same affairs are repeated every day, habits allow our spirit to form inertia laziness. It would be better to activate the fun in life by the fresh experience. So that we can also understand the new true meaning of a happy life from the day-to-day family affairs.

也许每一天都重复相同的事务，习惯让我们的精神形成惯性懒惰，不知让新鲜体验做活生活乐趣，从日复一日的家庭事务中，也能领悟出快乐生活新真谛。



Bathroom Accessories Series

小五金系列



Model: WZ121 Upright wall mounted double tissue holder
立式双入墙式卷纸架

Model: WZ119 Single wall mounted tissue holder
单入墙式卷纸架

Model: WZ108 Tissue holder with round ash tray
圆形烟灰盘卷纸架

Model: WZ107 Tissue holder with square tray
方形烟灰盘卷纸架

Model: WZ120 Horizontal wall mounted double tissue holder
横式双入墙式卷纸架



Model: WU885 Dressing mirror
化妆镜

Model: WX871 Airer
晾衣篮

Model: WG202 Robe hook
二钩衣钩

Model: WG205 Robe hook
三钩衣钩



Model: WN2192 Tissue holder
手纸架

Model: WN2193 Tissue holder
手纸架

Model: WA222 Wall mounted tissue holder
入墙面巾盒

Model: WA223 Table board tissue holder
台面面巾盒

Model: WT651(0.5L) Liquid soap appliance
皂液器



Model: WG3 Robe hook
三钩衣钩

Model: WG5 Robe hook
五钩衣钩

Model: WG303 Robe hook
三钩衣钩

Model: WG305 Robe hook
五钩衣钩



Model: CP6 lotion dispenser
乳液器

Model: YD3 shower bracket
花洒支架

Model: BC3P Accessory
龙头配件

Model: SD9 Showerhead holder
喷头支架

Model: WF2 Bathtub handle
浴缸拉手



Model: WP6 Soap holder
肥皂架

Model: WP2 Soap holder
肥皂架

Model: WL5 Tier wire basket
吊篮

Model: WL3 Tier wire basket
吊篮

Perfection is always shown in casual moment. From hooks to object carrier, from soap basket to tooth paste cup, harmonic environment is shown everywhere and touchable.

完美，总不经意的点滴问题呢，从挂钩到置物架，从肥皂篮到漱口杯，和谐所在，触手可及。

Sanitary Series

洁具系列



Model: WL3A
Tier wire basket
吊篮

Model: WL3B
Tier wire basket
吊篮

Model: WL20
Tier wire basket
吊篮

Model: WL6
Tier wire basket
吊篮



Model: WL7
Tier wire basket
吊篮

Model: WN2150
Tissue holder
手纸架

Model: WW558
Shower shelves
淋浴置物架

Model: WW2
Curtain rail
帘子杆



Model: GS1-150
Stainless steel flexible hose
不锈钢软管

Model: GR1
Stainless steel woven hose
不锈钢编织管

Model: GR2-46
Single head stainless steel woven hose
单头不锈钢编织管

Model: GW1
Stainless steel ripple hose
不锈钢波纹管 (塑料)



Integrated toilet

智能马桶



Model: TL0061

智能座便器
规格: 683x393x495mm
墙距: 250/300/400mm

Specification

座圈加热	<input checked="" type="checkbox"/>	自动冲水	<input type="checkbox"/>
座圈感应	<input type="checkbox"/>	柔光照明	<input type="checkbox"/>
阻尼缓降	<input type="checkbox"/>	脚踢冲水	<input type="checkbox"/>
座圈感应	<input checked="" type="checkbox"/>		

电源规格: AC220V,50Hz
加热功率: 40W



Model: TL0040
智能座便器
规格: 704x433x498mm
槽距: 300/400mm

Specification

臀部清洗	●	智能遥控	④
女士专用清洗	●	水压调节	⑤
喷嘴位置调节	③	水温调节	⑥
座圈加热	⑦	旋钮遥控	⑧
座圈烘干	●	自动冲水	⑨
座圈解冻	●	自动除臭	⑩
断电开关	●	无限冲洗	⑪
按摩清洗	●	水流杀菌	⑫
蓝光照明	●	喷头杀菌	⑬

额定功率: 1250W
水压范围: 0.15~0.75MPa
防水等级: IPX4



Model: TL0041
智能座便器
规格: 680X398X460mm
槽距: 300/400mm

Specification

臀部清洗	●	水压调节	⑤
女士专用清洗	●	自动冲水	⑨
任意移动式清洗	●	蓝光照明	●
座圈加热	⑦	高温调节	⑥
暖风	●	水温调节	⑥
风量调节	●	喷嘴位置调节	③
断电开关	●	节水器	●
智能遥控	●	智能遥控	⑧
按摩清洗	●	无限冲洗	⑪
臀部清洗	●	脚踢冲水	⑩
儿童清洗	①		



Model: TL0025
智能座便器
规格: 690X423X510mm
槽距: 300/400mm

Specification

臀部清洗	●	水压调节	⑤
女士专用清洗	●	自动冲水	⑨
任意移动式清洗	●	蓝光照明	●
座圈加热	⑦	高温调节	⑥
暖风	●	无限冲洗	⑪
风量调节	●	水温调节	⑥
断电开关	●	喷嘴位置调节	③
脚踢清洗	⑩	脚踢自动冲水	⑩
座圈加热	⑦	座圈自动解冻	⑧
按摩清洗	●	智能遥控	⑧
脚踢清洗	⑩		

Specification

臀部清洗	智能遥控
女士专用清洗	水压调节
喷嘴位置调节	水温调节
座圈加热	加热遥控
暖风烘干	自动冲水
延迟冲水	自动除臭
断电开关	无刷电机
座圈清洗	滤芯过滤

额定功率: 920W
水压范围: 0.15~0.75MPa
防水等级: IPX4

Model: TL0039
智能座便器
规格: 690x423x510mm
净距: 300/400mm

臀部清洗	按摩功能
女士专用清洗	水压调节
往复移动式清洗	自动冲水
座圈加热	柔光照明
暖风	无刷电机
延迟冲水	喷嘴清洗
断电开关	节能功能
智能遥控	



Model: TL0030
智能座便器
规格: 691X423X493mm
净距: 300/400mm
水压范围: 0.15~0.75MPa
防水等级: IPX4

臀部清洗	按摩功能
女士专用清洗	水压调节
往复移动式清洗	自动冲水
座圈加热	柔光照明
暖风	暖风冲水
延迟冲水	喷嘴清洗
断电开关	自动感应翻盖
智能遥控	智能除臭



Model: TL0034
智能座便器
规格: 690X432X510mm
净距: 300/400mm
水压范围: 0.15~0.75MPa
防水等级: IPX4

臀部清洗	水温调节
女士专用清洗	喷嘴清洗
往复移动式清洗	水压调节
座圈加热	喷嘴位置调节
暖风	记忆节能
延迟冲水	断电开关



Model: TL0059
智能盖座便器
规格: 505X447X136mm
适用电源: 220~50Hz
额定功率: 850W
水压范围: 0.1~0.75MPa
防水等级: IPX4
加热方式: 水箱型

**Model: TL1067**

高体座便器
规格: 680X360X780mm
冲洗方式: 喷射虹吸
箱距: 300/400mm

**Model: TL1068**

高体座便器
规格: 710X410X730mm
冲洗方式: 喷射虹吸
箱距: 300/400mm

**Model: TL1083**

连体座便器
规格: 650X360X720mm
冲洗方式: 喷射虹吸
箱距: 300/400mm

**Model: TL1098**

高体座便器
规格: 580X390X700mm
冲洗方式: 喷射虹吸
箱距: 300/400mm

**Model: TL1099**

高体座便器
规格: 690X375X700mm
冲洗方式: 喷射虹吸
箱距: 300/400mm

**Model: TL2005**

高体座便器
规格: 690X375X660mm
冲洗方式: 喷射虹吸
箱距: 300/400mm

**Model: TL1085**

连体座便器
规格: 670X360X720mm
冲洗方式: 喷射虹吸
箱距: 250/300/400mm

**Model: TL1093**

高体座便器
规格: 690X410X690mm
冲洗方式: 喷射虹吸
箱距: 300/400mm

**Model: TL1095**

高体座便器
规格: 710X365X715mm
冲洗方式: 喷射虹吸
箱距: 300/400mm

**Model: TL1101**

高体座便器
规格: 720X370X785mm
冲洗方式: 喷射虹吸
箱距: 300/400mm

**Model: TL0023**

壁挂式座便器
规格: 580X400X370mm
冲洗方式: 直冲式
孔距: 180mm

**Model: TL0024**

壁挂式座便器
规格: 490X345X360mm
冲洗方式: 直冲式
孔距: 180mm

**Model: TL1096**

高体座便器
规格: 710X415X705mm
冲洗方式: 喷射虹吸
箱距: 300/400mm

**Model: TL1097**

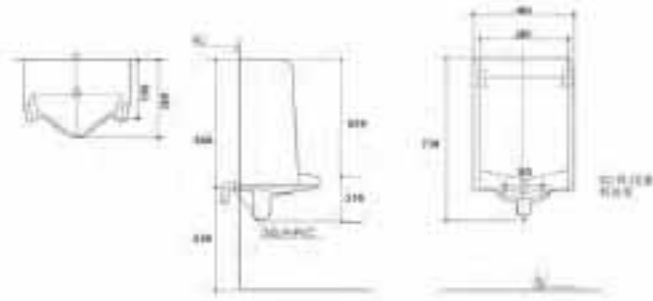
高体座便器
规格: 660X370X755mm
冲洗方式: 喷射虹吸
箱距: 300/400mm

**Model: TL1090**

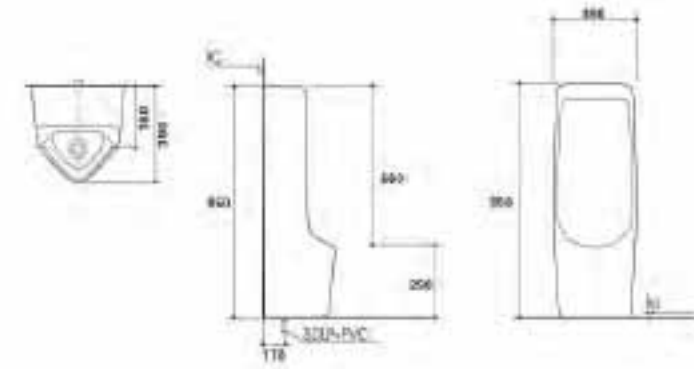
高体座便器
规格: 720X460X640mm
冲洗方式: 喷射虹吸
箱距: 300/400mm

**Model: TD7500**

挂式小便器
外形尺寸: 730×480×320mm
排水方式: 横排水或直排水
顶进水管横排中心距: 590mm

**Model: TD7509**

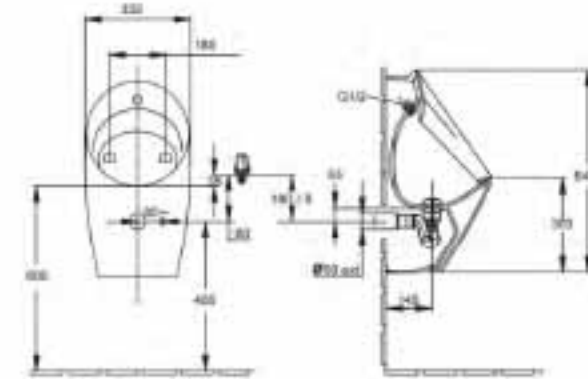
立式小便器
外形尺寸: 950×390×390mm
排水方式: 直排水
进水管方式: 顶进水管
直排水管中心距: 170mm

**Model: TD7530**

挂式小便器
外形尺寸: 590×370×300mm
排水方式: 横排水或直排水
顶进水管横排中心距: 490mm

**Model: TD7534**

挂式感应小便器
外形尺寸: 642×332×330mm
排水方式: 横排水或直排水
进水管方式: 顶进水管
顶进水管横排中心距: 415mm
电源: 蓄电池

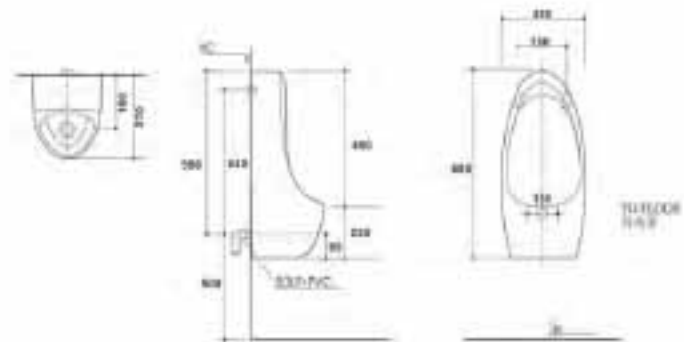
**Model: TD7532A**

顶进水管式小便器

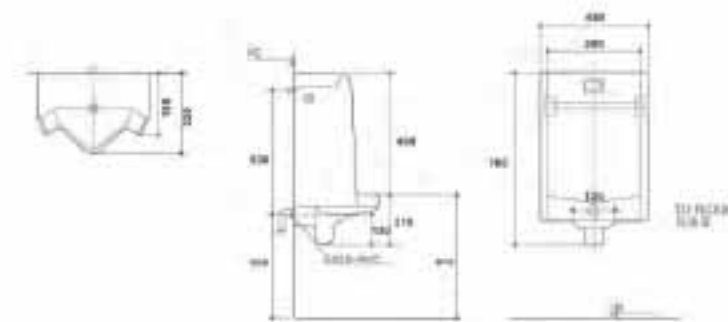
Model: TD7532B

穿进水管式小便器

外形尺寸: 680×330×270mm
排水方式: 横排水或直排水
进水管方式: 顶进水管或穿进水管
顶进水管横排中心距: 580mm
穿进水管横排中心距: 530mm
穿进水管配EM2115专用感应器 (交流感应)

**Model: TD7560**

挂式感应小便器
外形尺寸: 700×480×330mm
排水方式: 横排水或直排水
进水管方式: 穿进水管
穿进水管横排中心距: 530mm
电源: 交流感应器

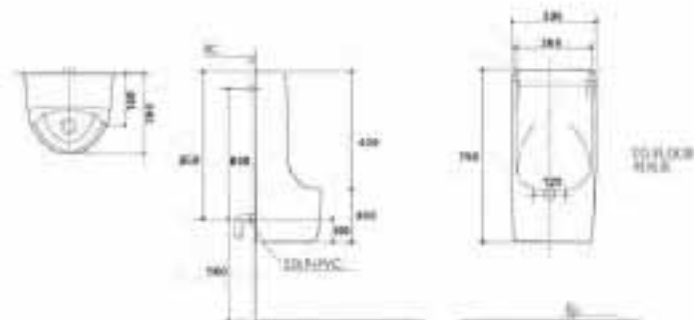
**Model: TD7569A**

顶进水管式小便器

Model: TD7569B

穿进水管式小便器

外形尺寸: 750×390×390mm
排水方式: 横排水或直排水
进水管方式: 顶进水管或穿进水管
顶进水管横排中心距: 650mm
穿进水管横排中心距: 600mm
穿进水管配EM2115专用感应器 (交流感应)

**Model: TD7561**

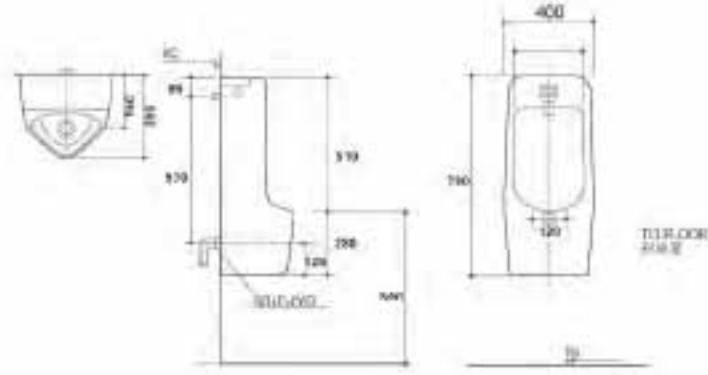
挂式感应小便器

外形尺寸: 850×470×370mm
排水方式: 横排水或直排水
进水管方式: 穿进水管
穿进水管横排中心距: 620mm
电源: 交流感应器

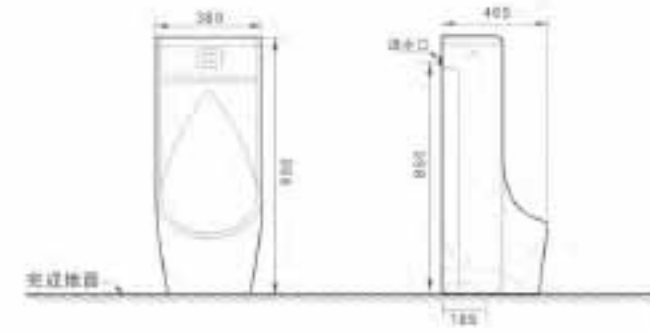


**Model: TD1752**

挂式感应小便器
外形尺寸: 790×400×350mm
排水方式: 横排水或直排水
进水方式: 背进水
背进水管横排中心距: 570mm
电源: 交流电两用

**Model: TD7563**

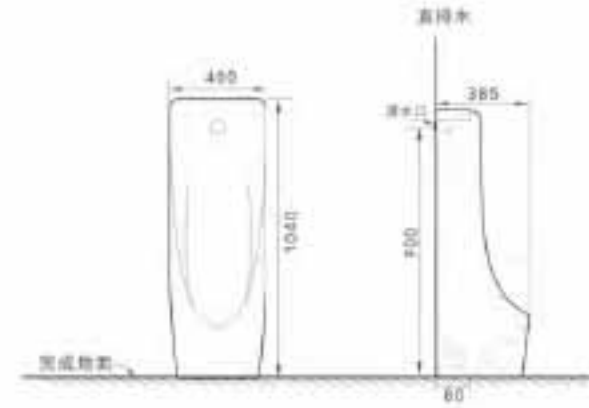
立式感应小便器
外形尺寸: 980×380×405mm
排水方式: 直排水
进水方式: 背进水
背进水高度: 850mm
直排冲墙中心距: 185mm
电源: 交流电两用

**Model: TD7565**

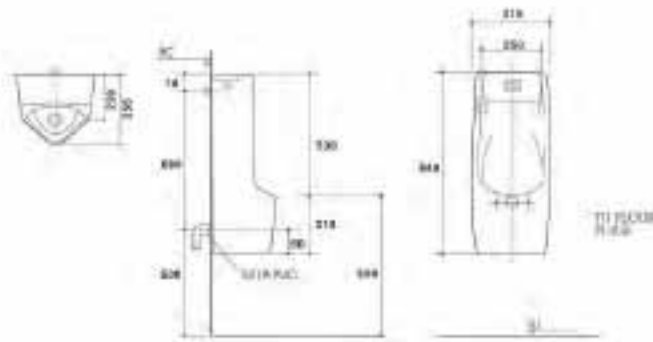
挂式感应小便器
外形尺寸: 700×320×350mm
排水方式: 横排水或直排水
进水方式: 背进水
背进水管横排中心距: 440mm
电源: 直流电

**Model: TD7566**

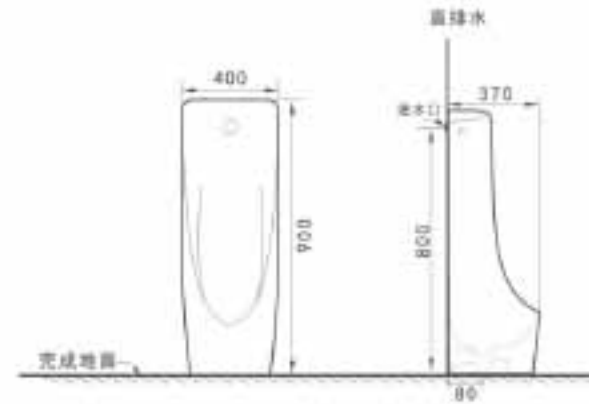
立式感应小便器
外形尺寸: 1040×400×385mm
排水方式: 直排水
进水方式: 背进水
背进水高度: 900mm
直排冲墙中心距: 80mm
电源: 直流电

**Model: TD7568A/B**

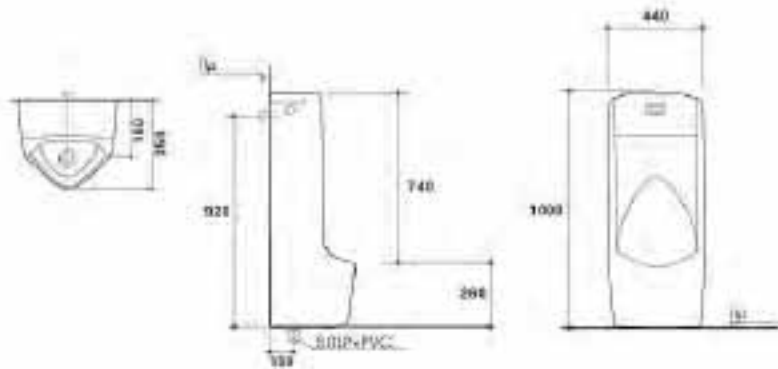
挂式感应小便器
外形尺寸: 840×410×355mm
排水方式: 横排水或直排水
进水方式: 背进水
背进水管横排中心距: 690mm
电源: 交流电两用

**Model: TD7567A/B**

立式感应小便器
外形尺寸: 900×400×370mm
排水方式: 直排水
进水方式: 背进水
背进水高度: 800mm
直排冲墙中心距: 80mm
电源: 直流电

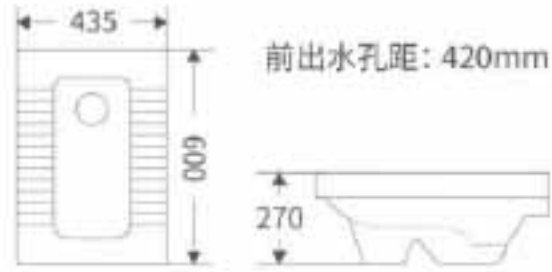
**Model: TD7562**

立式感应小便器
外形尺寸: 1000×440×350mm
排水方式: 直排水
进水方式: 背进水
背进水管横排中心距: 920mm
直排冲墙中心距: 150mm
电源: 交流电两用





Model: TZ8020
 蹲便器
 外形尺寸: 600×435×270mm
 带S号
 前出水孔距: 420mm



Model: TH0005
 节能水箱
 规格: 400×135×400mm



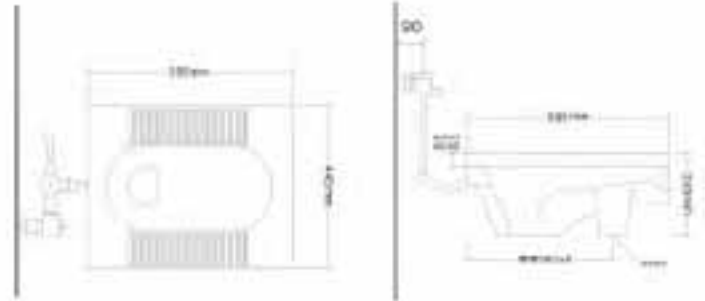
Model: TH0006
 节能水箱
 规格: 385×135×400mm



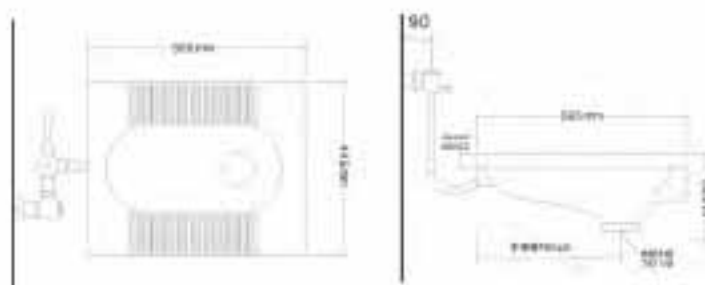
Model: TH0010
 节能水箱
 规格: 350×95×420mm



Model: TZ8016
 蹲便器
 外形尺寸: 565×445×240mm
 带S号
 前出水孔距: 380mm
 后出水孔距: 180mm



Model: TZ8017
 蹲便器
 外形尺寸: 565×445×190mm
 带S号
 前出水孔距: 400mm
 后出水孔距: 160mm



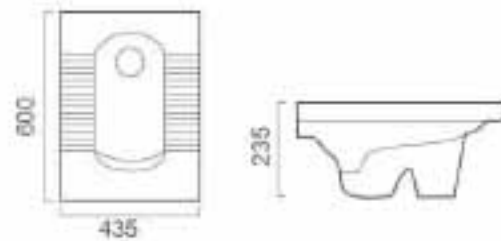
Model: TH0021
 超漩式水箱 (适用于蹲便器)
 规格: 1200×450×80mm



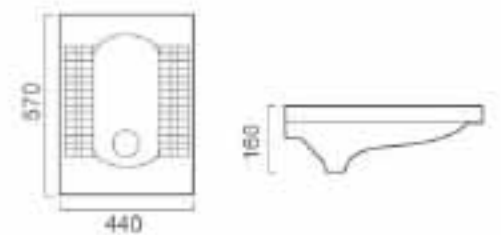
Model: TH0020
 超漩式水箱 (适用于坐便器)
 规格: 1100×500×127mm



Model: TZ8012
 蹲便器
 外形尺寸: 600×435×235mm
 带S号
 前出水孔距: 400mm



Model: TZ8014
 蹲便器
 外形尺寸: 570×440×160mm
 不带S号
 后出水孔距: 160mm





Model: TG4010
台下盆
规格: 510X380X100mm

Model: TG4011
台下盆
规格: 530X40X105mm

Model: TG4012
台下盆
规格: 505X375X100mm

Model: TG4013
台下盆
规格: 535X63X105mm



Model: TS4051
艺术白盆
规格: 450X400X100mm



Model: TS4053
艺术白盆
规格: 470X470X100mm



Model: TS4056
艺术白盆
规格: 625X430X100mm



Model: TG4005
台下盆(智能版)
规格: 510X425X100mm

Model: TG4006
台下盆(智能版)
规格: 570X430X100mm

Model: TG4008
台下盆
规格: 510X425X100mm

Model: TG5009
台下盆
规格: 460X380X100mm



Model: TS4087
艺术白盆
规格: 460X370X140mm



Model: TS4088
艺术白盆
规格: 590X395X140mm



Model: TS4089
艺术白盆
规格: 600X410X100mm



Model: TG4007
台下盆
规格: 570X415X100mm



Model: TT5005
台上盆
规格: 560X465X100mm
单孔/三孔



Model: TS4036
艺术白盆
规格: 465X465X100mm



Model: TS4040
艺术白盆
规格: 510X465X100mm



Model: TS4090
艺术白盆
规格: 560X380X100mm



Model: TP3009

立柱盆
规格: 520X440X820mm
单孔/三孔



Model: TP3010

立柱盆
规格: 560X410X830mm
单孔/三孔



Model: TC9008

柱布池
规格: 450X375X515mm
不带出水嘴
宽度: 190mm



Model: TC9009

柱布池
规格: 480X540X680mm
宽度: 250mm



Model: TC9010

柱布池
规格: 430X460X630mm
宽度: 210mm



Model: TC9012

柱布池
规格: 470X320X495mm



Model: TC9015

柱布池
规格: 380X480X430mm



Model: TC9011

柱布池
规格: 380X490X430mm



Model: TC9013

柱布池
规格: 440X290X410mm



Model: TY6601

浴缸
规格: 2000X1130X590mm
备注: 亚克力浴缸, 带冲浪五件套



Model: TY6807

浴缸 (右视)
规格: 1700X700X390mm
备注: 亚克力浴缸, 产品配上裙边高度550mm

Bathroom Cabinets

浴室柜系列



Amico 099



Amico 100





Model: TA9939-90
浴室柜
主柜: 915X480X520mm
镜柜: 880X720X130mm



Model: TA-9936-100
浴室柜
主柜: 1000X480X520mm
镜柜: 980X750X130mm



Model: TA-9936-80
浴室柜
主柜: 800X480X520mm
镜柜: 780X750X130mm



Model: TA-9936-90
浴室柜
主柜: 900X480X520mm
镜柜: 880X750X130mm



Model: TA9939-60
浴室柜
主柜: 615X485X520mm
镜柜: 590X720X130mm



Model: TA9939-80
浴室柜
主柜: 815X490X520mm
镜柜: 760X720X130mm





Model: TA9935-100
浴室柜
主柜: 1010X480X550mm
镜柜: 970X780X130mm



Model: TA9935-70
浴室柜
主柜: 720X480X550mm
镜柜: 670X780X130mm



Model: TA9935-80
浴室柜
主柜: 810X480X550mm
镜柜: 780X780X130mm

CUSTOMIZE /YOUR IMAGINATION

定制你的想象

AMICO



Model: TA1944
定制浴室柜
主柜: 900X510X820mm
镜柜: 900X800X150mm



Model: TA1944D
定制浴室柜
主柜: 1500X510X820mm
镜柜: 1500X800X150mm

人生得意须尽欢，当拖下沉重的包袱，洗净生活的积垢，即便是人生中最得意的画面，每个心灵都淋漓畅快。

The life self-satisfied must have a good time; when unloading the heavy burden and cleaning the fouling of life, that is the most proud image of the life, and each mind will have fun.



Model: TA1940
定制浴室柜
主柜: 900X530X820
镜柜: 900X800X150



Model: TA1942
定制浴室柜
主柜: 900X550X820mm
镜柜: 900X800X130mm



Model: TA1943
定制浴室柜
主柜: 900X510X820mm
镜柜: 900X1000X135mm



Model: TA1941
定制浴室柜
主柜: 900X530X820
镜柜: 900X800X150



Model: TA1946
定制浴室柜
主柜: 900X530X820mm
镜柜: 900X800X130mm



Model: TA1947
定制浴室柜
主柜: 900X510X820mm
镜柜: 900X800X150mm



Model: TA1961
定制浴室柜
主柜: 900X530X820mm
镜柜: 900X800X150mm



Model: TA-1945
定制浴室柜
主柜: 900X530X820mm
镜柜: 900X800X150mm



Model: TA-1962
定制浴室柜
主柜: 900X500X820mm
镜柜: 900X800X150mm



Model: TA1964
定制浴室柜
主柜: 900X530X800mm
镜柜: 900X800X150mm



Model: TA1960
定制浴室柜
主柜: 900X520X820mm
镜柜: 900X800X150mm



Model: TA1922
定制浴室柜
主柜: 1000X490X850mm
镜柜: 840X730mm
置物架: 800X210X130mm



Model: TA-1906
定制浴室柜
主柜: 1000X580X820mm
镜柜: 980X800X140mm



Model: TA-1909
定制浴室柜
主柜: 1000X580X820mm
镜柜: 980X810X140mm



Model: TA-1910B
定制浴室柜
主柜: 1000X480X520mm
镜柜: 900X800X150mm



Model: TA-1951
定制玉石洗衣柜
主柜标准尺寸: 1200X630X930mm

Model: TA-1952
定制玉石洗衣柜
主柜标准尺寸: 1200X630X930mm

Model: TA-1957
定制洗衣柜
主柜标准尺寸: 1200X600X930mm



Model: TA-1953
定制洗衣柜
主柜标准尺寸: 1200X600X920mm

Model: TA-1954
定制洗衣柜
主柜标准尺寸: 1200X600X920mm

Model: TA-1955
定制洗衣柜
主柜标准尺寸: 800X600X820mm



Model: TA-2150
洗衣柜
规格: 1500X600X900mm

Model: TA-2130/2140
洗衣柜
规格: TA2130:1300X600X900mm
TA2140:1400X600X900mm

Model: TA-3120/3140
洗衣柜
规格: TA3120:1200X650X1010mm
TA3140:1400X650X1010mm

Model: TA-3090
洗衣柜
主柜: 910X480X840mm
宽: 910X480mm

门板可选

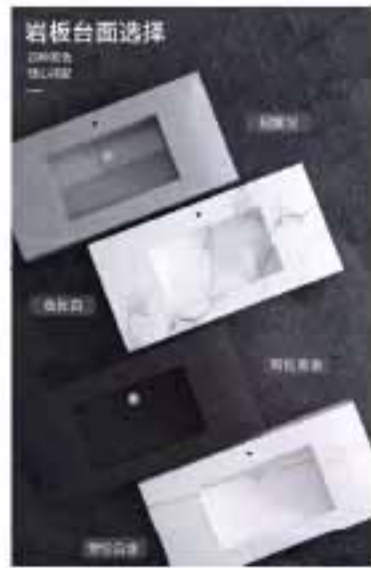
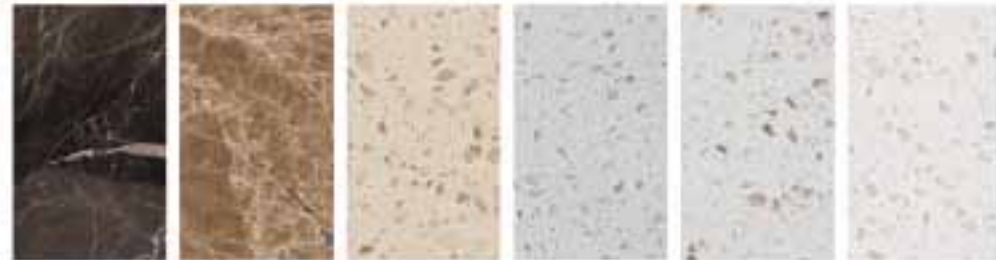
烤漆类:



模压类:



台面可选



洗衣柜玉石可选



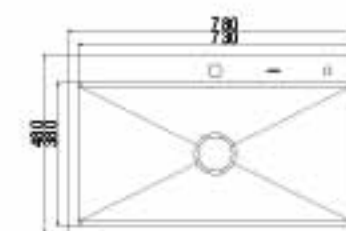
注: 印刷颜色有色差, 请根据实际色块挑选

Steel Sinks

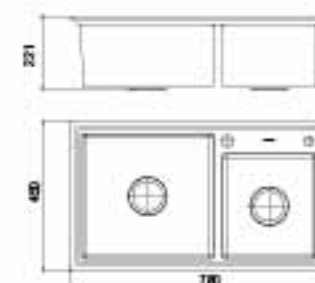
水槽系列



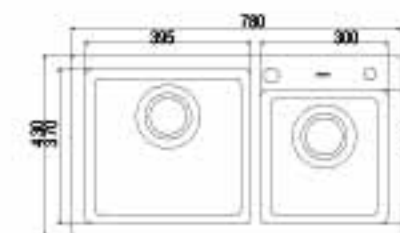
Model: XD-7848
Stainless steel sink
不銹鋼水槽



Model: XS-4601A
Stainless steel sink
不銹鋼水槽

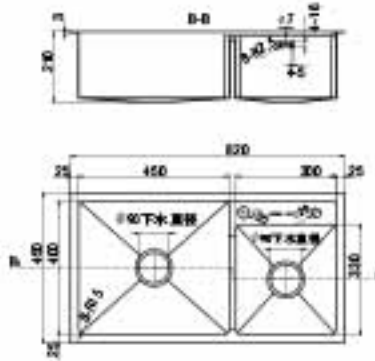


Model: SS-7843
Quartz stone sink
石英石水槽

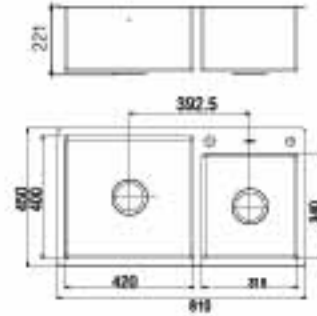




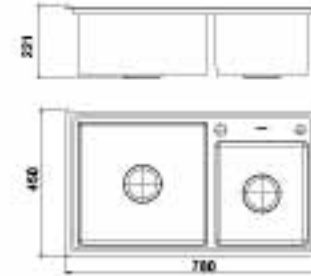
Model: XS-8245
Stainless steel sink
不銹鋼水槽



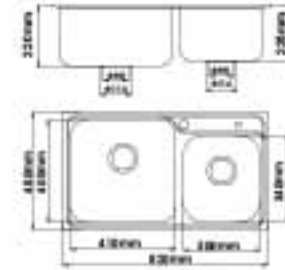
Model: XS-4603
Stainless steel sink
不銹鋼水槽



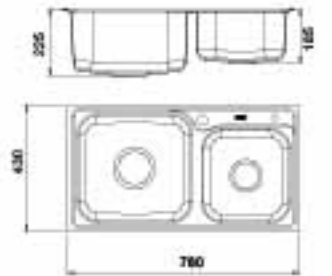
Model: XS-4601
Stainless steel sink
不銹鋼水槽



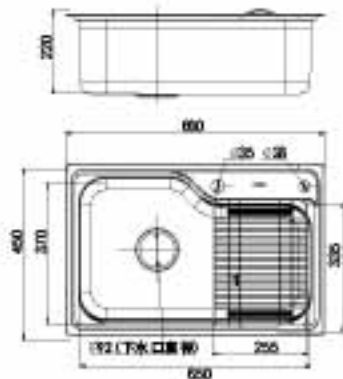
Model: XS-3046A
Stainless steel sink
不銹鋼水槽



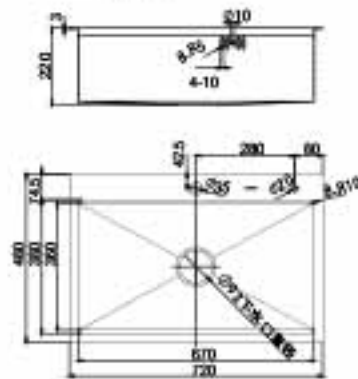
Model: XS-4201
Stainless steel sink
不銹鋼水槽



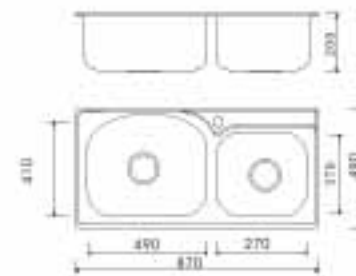
Model: XD-6845
Stainless steel sink
不銹鋼水槽



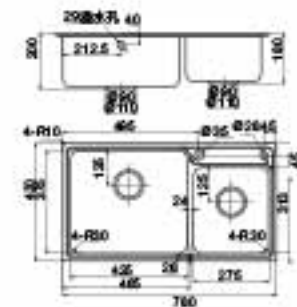
Model: XD-7248
Stainless steel sink
不銹鋼水槽



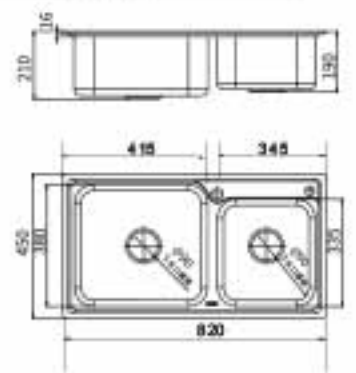
Model: XS-2512
Stainless steel sink
不銹鋼水槽



Model: XS-3607
Stainless steel sink
不銹鋼水槽



Model: XS-4617
Stainless steel sink
不銹鋼水槽





Model: XD-101
Stainless steel sink
不銹鋼水槽

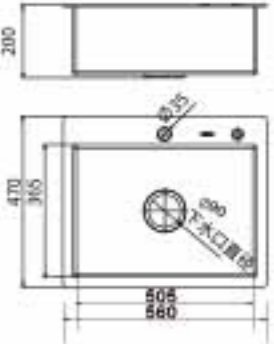
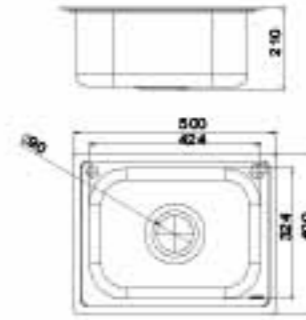
Model: XD-103
Stainless steel sink
不銹鋼水槽

Model: XD-104
Stainless steel sink
不銹鋼水槽

Model: XD-111
Stainless steel sink
不銹鋼水槽

Model: XD-4606
Stainless steel sink
不銹鋼水槽

Model: XD-4618
Stainless steel sink
不銹鋼水槽



Model: XD-102
Stainless steel sink
不銹鋼水槽

Model: XD-105
Stainless steel sink
不銹鋼水槽

Model: XD-106
Stainless steel sink
不銹鋼水槽

Model: XD-4602
Stainless steel sink
不銹鋼水槽

Model: XD-4610
Stainless steel sink
不銹鋼水槽

